

Quick Installation Guide

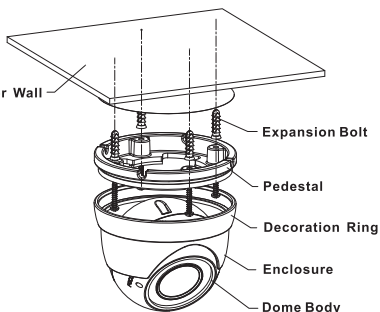
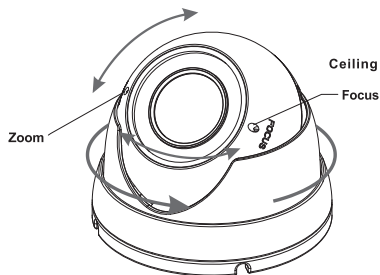
Attention:

Please make sure the installation surface is thick enough to sustain at least 3X weight of the camera.

Note:

- If you want to install in the wood surface, expansion bolts are not necessary.
- The screw depth shall reserve 8mm–10mm to secure the bracket.

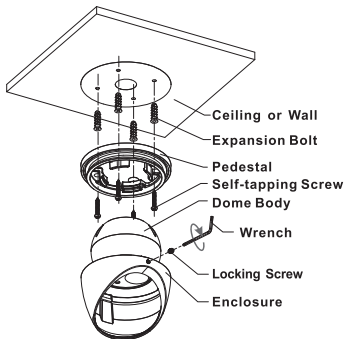
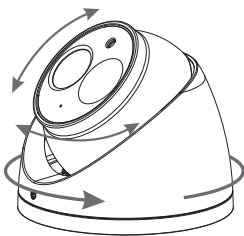
Model A.



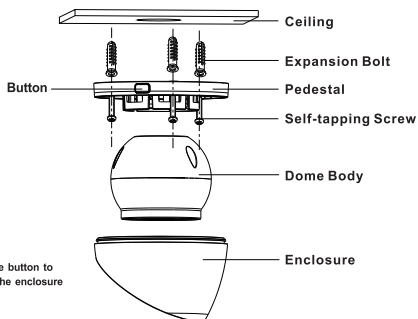
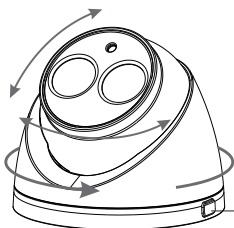
Note:

You shall use a screwdriver for zoom and focus adjustment.

Model B.

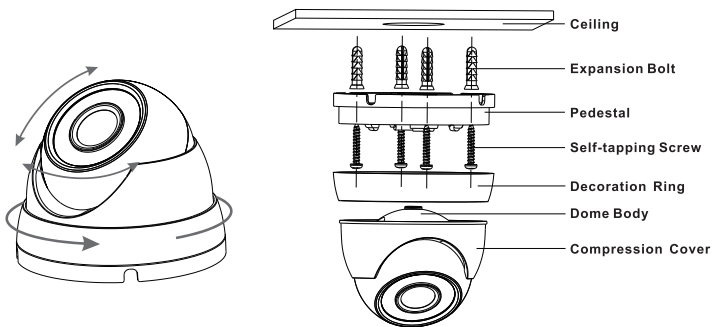


Model C.

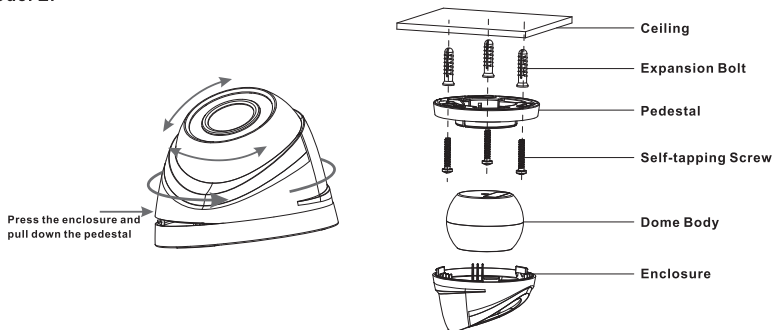


Press the button to release the enclosure

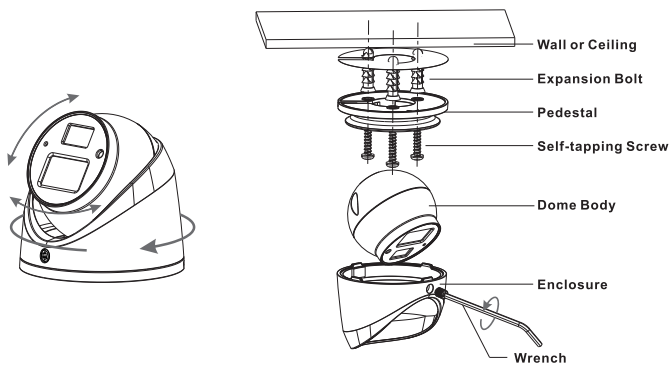
Model D.



Model E.



Model F.



Note

- This manual is for reference only. Please visit our website or contact your local service engineer for more information.